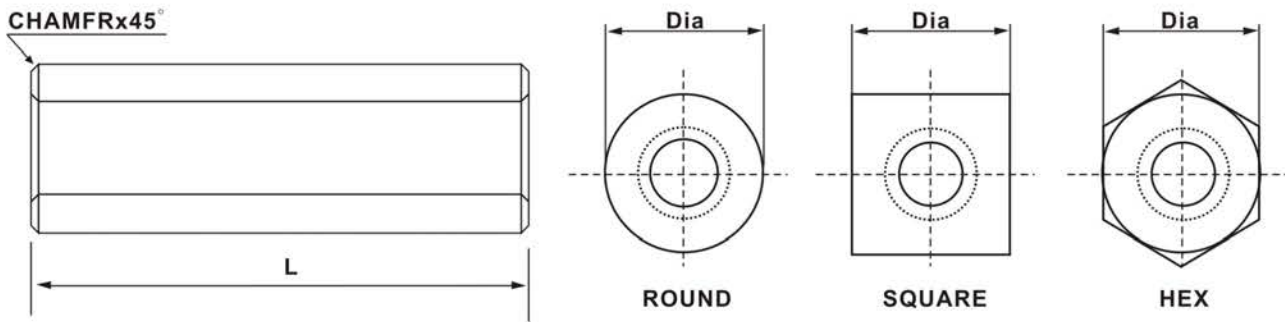


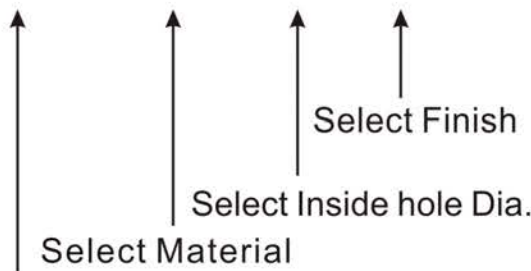
Foreword

(AMERICAN STANDARD SPACERS)



How to order American Standard Clear Hole Spacers

AS-1801-MS1-0-S10



Tolerances:

Diameter: Standard commercial bar stock tolerances.

Length: 0 UP to 4" ± .005

From 4" to 6" ± .008

Threads:

External - Standard Unified Class 2A

Internal - Standard Unified Class 2B

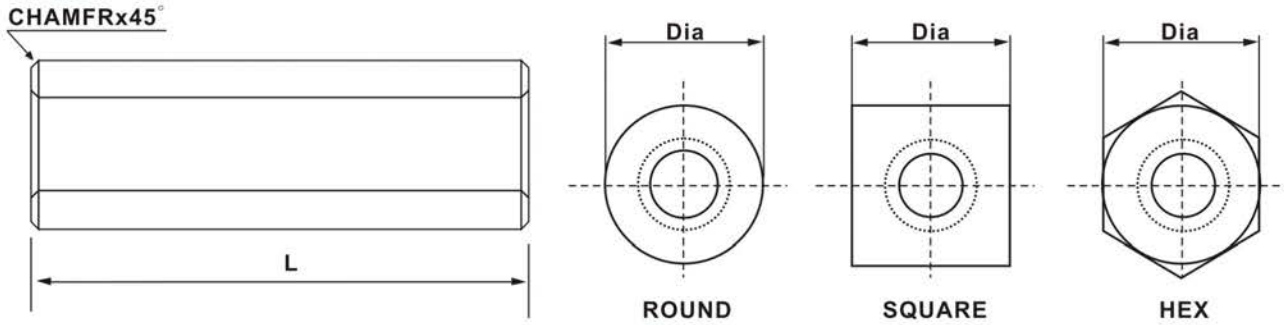
Select Part No. corresponding to the diameter and length necessary for Your application

Material Description	Code		
	Round	Square	Hex
Carbon Steel	MS1	MS2	MS3
300 Series Stainless Steel	MSS1	MSS2	MSS3
Aluminum	MA1	MA2	MA3
Brass	MB1	MB2	MB3
Nylon	MN1	MN2	MN3

Finish Description	Code
Nickel Plate	S1
Chrome Plate	S2
Satin Chrome	S6
Zinc Plate	S10
Zinc Yellow Chromate	S11
No Finish	S14
Black Oxide	S22
Black Zinc	S23
Passivate	SB5
Anodize Clear	SA1
Glossy Anodize Clear	SA2
Anodize Black	SA3
Glossy Anodize Black	SA4
Clear Iridite	SA5

Code	Thread	Inside hole Dia. $\begin{matrix} + .010 \\ - .000 \end{matrix}$
0	0-80	.640
2	2-56	.090
4	4-40	.115
6	6-32	.140
8	8-32	.166
10	10-32	.192
12	12-24	.218
1/4	1/4-20	.252
5/16	5/16-18	.315
3/8	3/8-16	.380
7/16	7/16-14	.440
1/2	1/2-20	.505

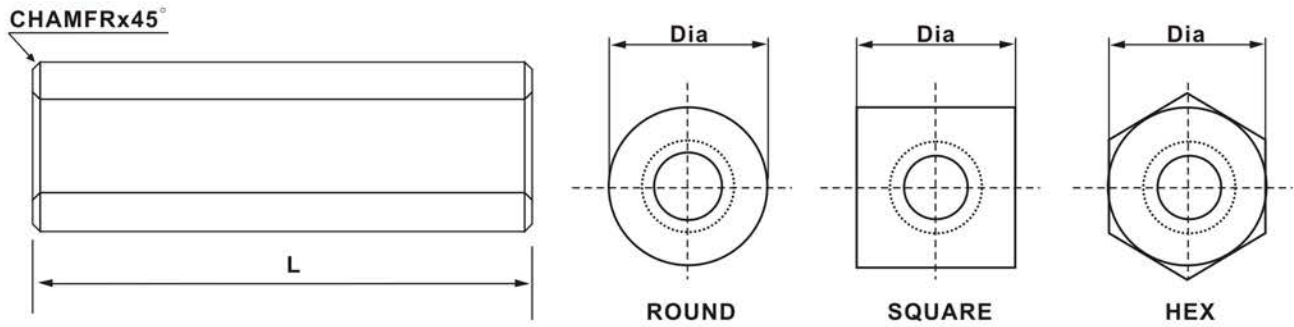
Custom modified products are available.



1/8" Diameter Clear Hole Spacers

Part No.	Length	Part No.	Length	Part No.	Length
AS-1801	1/16	AS-1843	23/32	AS-1885	1-3/8
AS-1802	5/64	AS-1844	47/64	AS-1886	1-25/64
AS-1803	3/32	AS-1845	3/4	AS-1887	1-13/32
AS-1804	7/64	AS-1846	49/64	AS-1888	1-27/64
AS-1805	1/8	AS-1847	25/32	AS-1889	1-7/16
AS-1806	9/64	AS-1848	51/64	AS-1890	1-29/64
AS-1807	5/32	AS-1849	13/16	AS-1891	1-15/32
AS-1808	11/64	AS-1850	53/64	AS-1892	1-31/64
AS-1809	3/16	AS-1851	27/32	AS-1893	1-1/2
AS-1810	13/64	AS-1852	55/64	AS-1894	1-33/64
AS-1811	7/32	AS-1853	7/8	AS-1895	1-17/32
AS-1812	15/64	AS-1854	57/64	AS-1896	1-35/64
AS-1813	1/4	AS-1855	29/32	AS-1897	1-9/16
AS-1814	17/64	AS-1856	59/64	AS-1898	1-37/64
AS-1815	9/32	AS-1857	15/16	AS-1899	1-19/32
AS-1816	19/64	AS-1858	61/64	AS-18100	1-39/64
AS-1817	5/16	AS-1859	31/32	AS-18101	1-5/8
AS-1818	21/64	AS-1860	63/64	AS-18102	1-41/64
AS-1819	11/32	AS-1861	1	AS-18103	1-21/32
AS-1820	23/64	AS-1862	1-1/64	AS-18104	1-43/64
AS-1821	3/8	AS-1863	1-1/32	AS-18105	1-11/16
AS-1822	25/64	AS-1864	1-3/64	AS-18106	1-45/64
AS-1823	13/32	AS-1865	1-1/16	AS-18107	1-23/32
AS-1824	27/64	AS-1866	1-5/64	AS-18108	1-47/64
AS-1825	7/16	AS-1867	1-3/32	AS-18109	1-3/4
AS-1826	29/64	AS-1868	1-7/64	AS-18110	1-49/64
AS-1827	15/32	AS-1869	1-1/8	AS-18111	1-25/32
AS-1828	31/64	AS-1870	1-9/64	AS-18112	1-51/64
AS-1829	1/2	AS-1871	1-5/32	AS-18113	1-13/16
AS-1830	33/64	AS-1872	1-11/64	AS-18114	1-53/64
AS-1831	17/32	AS-1873	1-3/16	AS-18115	1-27/32
AS-1832	35/64	AS-1874	1-13/64	AS-18116	1-55/64
AS-1833	9/16	AS-1875	1-7/32	AS-18117	1-7/8
AS-1834	37/64	AS-1876	1-15/64	AS-18118	1-57/64
AS-1835	19/32	AS-1877	1-1/4	AS-18119	1-29/32
AS-1836	39/64	AS-1878	1-17/64	AS-18120	1-59/64
AS-1837	5/8	AS-1879	1-9/32	AS-18121	1-15/16
AS-1838	41/64	AS-1880	1-19/64	AS-18122	1-61/64
AS-1839	21/32	AS-1881	1-5/16	AS-18123	1-31/32
AS-1840	43/64	AS-1882	1-21/64	AS-18124	1-63/64
AS-1841	11/16	AS-1883	1-11/32	AS-18125	2
AS-1842	45/64	AS-1884	1-23/64		

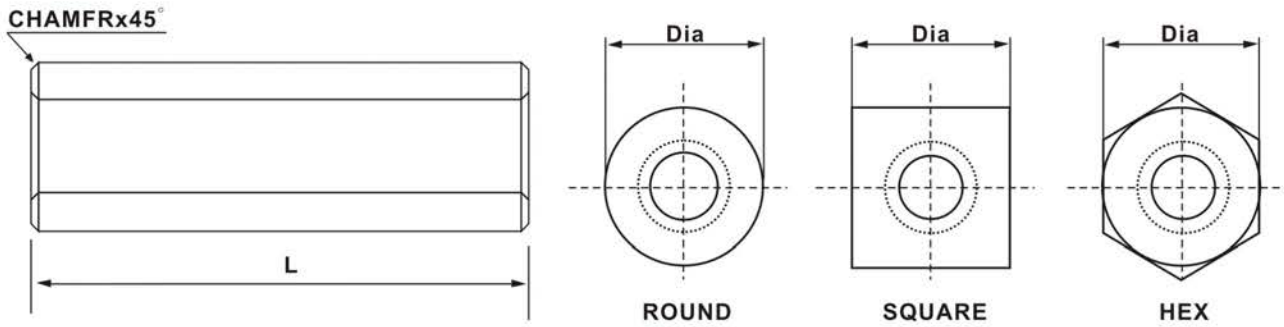
Custom modified products are available.



5/32" Diameter Clear Hole Spacers

Part No.	Length	Part No.	Length	Part No.	Length
AS-53201	1/16	AS-53243	23/32	AS-53285	1-3/8
AS-53202	5/64	AS-53244	47/64	AS-53286	1-25/64
AS-53203	3/32	AS-53245	3/4	AS-53287	1-13/32
AS-53204	7/64	AS-53246	49/64	AS-53288	1-27/64
AS-53205	1/8	AS-53247	25/32	AS-53289	1-7/16
AS-53206	9/64	AS-53248	51/64	AS-53290	1-29/64
AS-53207	5/32	AS-53249	13/16	AS-53291	1-15/32
AS-53208	11/64	AS-53250	53/64	AS-53292	1-31/64
AS-53209	3/16	AS-53251	27/32	AS-53293	1-1/2
AS-53210	13/64	AS-53252	55/64	AS-53294	1-33/64
AS-53211	7/32	AS-53253	7/8	AS-53295	1-17/32
AS-53212	15/64	AS-53254	57/64	AS-53296	1-35/64
AS-53213	1/4	AS-53255	29/32	AS-53297	1-9/16
AS-53214	17/64	AS-53256	59/64	AS-53298	1-37/64
AS-53215	9/32	AS-53257	15/16	AS-53299	1-19/32
AS-53216	19/64	AS-53258	61/64	AS-532100	1-39/64
AS-53217	5/16	AS-53259	31/32	AS-532101	1-5/8
AS-53218	21/64	AS-53260	63/64	AS-532102	1-41/64
AS-53219	11/32	AS-53261	1	AS-532103	1-21/32
AS-53220	23/64	AS-53262	1-1/64	AS-532104	1-43/64
AS-53221	3/8	AS-53263	1-1/32	AS-532105	1-11/16
AS-53222	25/64	AS-53264	1-3/64	AS-532106	1-45/64
AS-53223	13/32	AS-53265	1-1/16	AS-532107	1-23/32
AS-53224	27/64	AS-53266	1-5/64	AS-532108	1-47/64
AS-53225	7/16	AS-53267	1-3/32	AS-532109	1-3/4
AS-53226	29/64	AS-53268	1-7/64	AS-532110	1-49/64
AS-53227	15/32	AS-53269	1-1/8	AS-532111	1-25/32
AS-53228	31/64	AS-53270	1-9/64	AS-532112	1-51/64
AS-53229	1/2	AS-53271	1-5/32	AS-532113	1-13/16
AS-53230	33/64	AS-53272	1-11/64	AS-532114	1-53/64
AS-53231	17/32	AS-53273	1-3/16	AS-532115	1-27/32
AS-53232	35/64	AS-53274	1-13/64	AS-532116	1-55/64
AS-53233	9/16	AS-53275	1-7/32	AS-532117	1-7/8
AS-53234	37/64	AS-53276	1-15/64	AS-532118	1-57/64
AS-53235	19/32	AS-53277	1-1/4	AS-532119	1-29/32
AS-53236	39/64	AS-53278	1-17/64	AS-532120	1-59/64
AS-53237	5/8	AS-53279	1-9/32	AS-532121	1-15/16
AS-53238	41/64	AS-53280	1-19/64	AS-532122	1-61/64
AS-53239	21/32	AS-53281	1-5/16	AS-532123	1-31/32
AS-53240	43/64	AS-53282	1-21/64	AS-532124	1-63/64
AS-53241	11/16	AS-53283	1-11/32	AS-532125	2
AS-53242	45/64	AS-53284	1-23/64		

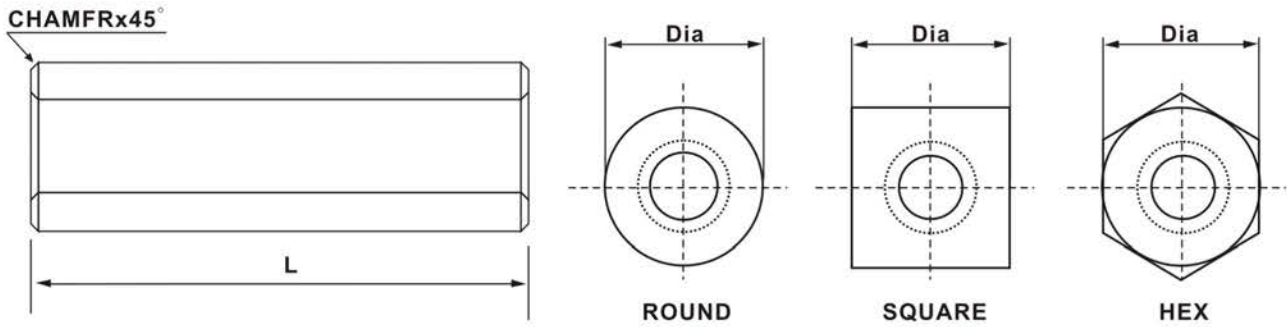
Custom modified products are available.



3/16" Diameter Clear Hole Spacers

Part No.	Length	Part No.	Length	Part No.	Length
AS-31601	1/16	AS-31643	23/32	AS-31685	1-3/8
AS-31602	5/64	AS-31644	47/64	AS-31686	1-25/64
AS-31603	3/32	AS-31645	3/4	AS-31687	1-13/32
AS-31604	7/64	AS-31646	49/64	AS-31688	1-27/64
AS-31605	1/8	AS-31647	25/32	AS-31689	1-7/16
AS-31606	9/64	AS-31648	51/64	AS-31690	1-29/64
AS-31607	5/32	AS-31649	13/16	AS-31691	1-15/32
AS-31608	11/64	AS-31650	53/64	AS-31692	1-31/64
AS-31609	3/16	AS-31651	27/32	AS-31693	1-1/2
AS-31600	13/64	AS-31652	55/64	AS-31694	1-33/64
AS-31611	7/32	AS-31653	7/8	AS-31695	1-17/32
AS-31612	15/64	AS-31654	57/64	AS-31696	1-35/64
AS-31613	1/4	AS-31655	29/32	AS-31697	1-9/16
AS-31614	17/64	AS-31656	59/64	AS-31698	1-37/64
AS-31615	9/32	AS-31657	15/16	AS-31699	1-19/32
AS-31616	19/64	AS-31658	61/64	AS-316100	1-39/64
AS-31617	5/16	AS-31659	31/32	AS-316101	1-5/8
AS-31618	21/64	AS-31660	63/64	AS-316102	1-41/64
AS-31619	11/32	AS-31661	1	AS-316103	1-21/32
AS-31620	23/64	AS-31662	1-1/64	AS-316104	1-43/64
AS-31621	3/8	AS-31663	1-1/32	AS-316105	1-11/16
AS-31622	25/64	AS-31664	1-3/64	AS-316106	1-45/64
AS-31623	13/32	AS-31665	1-1/16	AS-316107	1-23/32
AS-31624	27/64	AS-31666	1-5/64	AS-316108	1-47/64
AS-31625	7/16	AS-31667	1-3/32	AS-316109	1-3/4
AS-31626	29/64	AS-31668	1-7/64	AS-316110	1-49/64
AS-31627	15/32	AS-31669	1-1/8	AS-316111	1-25/32
AS-31628	31/64	AS-31670	1-9/64	AS-316112	1-51/64
AS-31629	1/2	AS-31671	1-5/32	AS-316113	1-13/16
AS-31630	33/64	AS-31672	1-11/64	AS-316114	1-53/64
AS-31631	17/32	AS-31673	1-3/16	AS-316115	1-27/32
AS-31632	35/64	AS-31674	1-13/64	AS-316116	1-55/64
AS-31633	9/16	AS-31675	1-7/32	AS-316117	1-7/8
AS-31634	37/64	AS-31676	1-15/64	AS-316118	1-57/64
AS-31635	19/32	AS-31677	1-1/4	AS-316119	1-29/32
AS-31636	39/64	AS-31678	1-17/64	AS-316120	1-59/64
AS-31637	5/8	AS-31679	1-9/32	AS-316121	1-15/16
AS-31638	41/64	AS-31680	1-19/64	AS-316122	1-61/64
AS-31639	21/32	AS-31681	1-5/16	AS-316123	1-31/32
AS-31640	43/64	AS-31682	1-21/64	AS-316124	1-63/64
AS-31641	11/16	AS-31683	1-11/32	AS-316125	2
AS-31642	45/64	AS-31684	1-23/64		

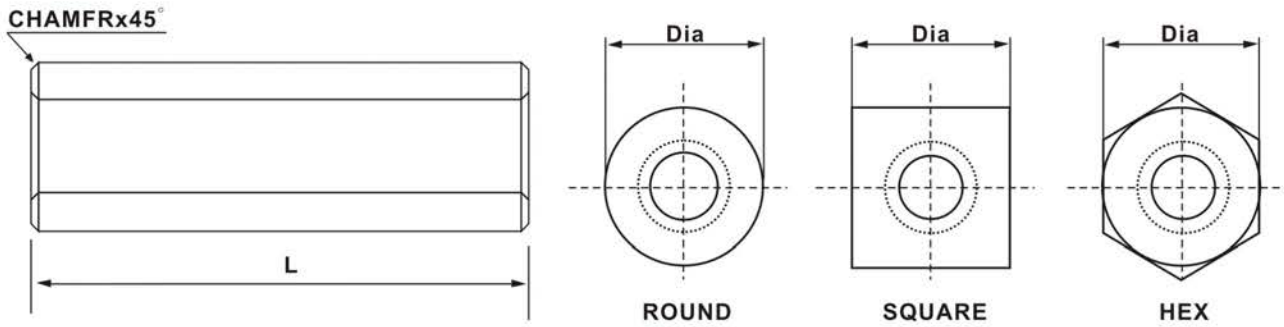
Custom modified products are available.



1/4" Diameter Clear Hole Spacers

Part No.	Length	Part No.	Length	Part No.	Length
AS-1401	1/16	AS-1443	23/32	AS-1485	1-3/8
AS-1402	5/64	AS-1444	47/64	AS-1486	1-25/64
AS-1403	3/32	AS-1445	3/4	AS-1487	1-13/32
AS-1404	7/64	AS-1446	49/64	AS-1488	1-27/64
AS-1405	1/8	AS-1447	25/32	AS-1489	1-7/16
AS-1406	9/64	AS-1448	51/64	AS-1490	1-29/64
AS-1407	5/32	AS-1449	13/16	AS-1491	1-15/32
AS-1408	11/64	AS-1450	53/64	AS-1492	1-31/64
AS-1409	3/16	AS-1451	27/32	AS-1493	1-1/2
AS-1410	13/64	AS-1452	55/64	AS-1494	1-33/64
AS-1411	7/32	AS-1453	7/8	AS-1495	1-17/32
AS-1412	15/64	AS-1454	57/64	AS-1496	1-35/64
AS-1413	1/4	AS-1455	29/32	AS-1497	1-9/16
AS-1414	17/64	AS-1456	59/64	AS-1498	1-37/64
AS-1415	9/32	AS-1457	15/16	AS-1499	1-19/32
AS-1416	19/64	AS-1458	61/64	AS-14100	1-39/64
AS-1417	5/16	AS-1459	31/32	AS-14101	1-5/8
AS-1418	21/64	AS-1460	63/64	AS-14102	1-41/64
AS-1419	11/32	AS-1461	1	AS-14103	1-21/32
AS-1420	23/64	AS-1462	1-1/64	AS-14104	1-43/64
AS-1421	3/8	AS-1463	1-1/32	AS-14105	1-11/16
AS-1422	25/64	AS-1464	1-3/64	AS-14106	1-45/64
AS-1423	13/32	AS-1465	1-1/16	AS-14107	1-23/32
AS-1424	27/64	AS-1466	1-5/64	AS-14108	1-47/64
AS-1425	7/16	AS-1467	1-3/32	AS-14109	1-3/4
AS-1426	29/64	AS-1468	1-7/64	AS-14110	1-49/64
AS-1427	15/32	AS-1469	1-1/8	AS-14111	1-25/32
AS-1428	31/64	AS-1470	1-9/64	AS-14112	1-51/64
AS-1429	1/2	AS-1471	1-5/32	AS-14113	1-13/16
AS-1430	33/64	AS-1472	1-11/64	AS-14114	1-53/64
AS-1431	17/32	AS-1473	1-3/16	AS-14115	1-27/32
AS-1432	35/64	AS-1474	1-13/64	AS-14116	1-55/64
AS-1433	9/16	AS-1475	1-7/32	AS-14117	1-7/8
AS-1434	37/64	AS-1476	1-15/64	AS-14118	1-57/64
AS-1435	19/32	AS-1477	1-1/4	AS-14119	1-29/32
AS-1436	39/64	AS-1478	1-17/64	AS-14120	1-59/64
AS-1437	5/8	AS-1479	1-9/32	AS-14121	1-15/16
AS-1438	41/64	AS-1480	1-19/64	AS-14122	1-61/64
AS-1439	21/32	AS-1481	1-5/16	AS-14123	1-31/32
AS-1440	43/64	AS-1482	1-21/64	AS-14124	1-63/64
AS-1441	11/16	AS-1483	1-11/32	AS-14125	2
AS-1442	45/64	AS-1484	1-23/64		

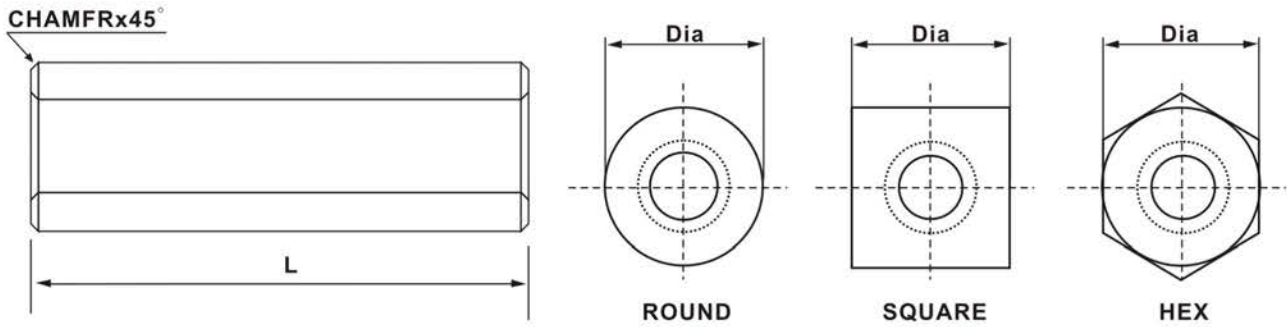
Custom modified products are available.



5/16" Diameter Clear Hole Spacers

Part No.	Length	Part No.	Length	Part No.	Length
AS-51601	1/16	AS-51643	23/32	AS-51685	1-3/8
AS-51602	5/64	AS-51644	47/64	AS-51686	1-25/64
AS-51603	3/32	AS-51645	3/4	AS-51687	1-13/32
AS-51604	7/64	AS-51646	49/64	AS-51688	1-27/64
AS-51605	1/8	AS-51647	25/32	AS-51689	1-7/16
AS-51606	9/64	AS-51648	51/64	AS-51690	1-29/64
AS-51607	5/32	AS-51649	13/16	AS-51691	1-15/32
AS-51608	11/64	AS-51650	53/64	AS-51692	1-31/64
AS-51609	3/16	AS-51651	27/32	AS-51693	1-1/2
AS-51610	13/64	AS-51652	55/64	AS-51694	1-33/64
AS-51611	7/32	AS-51653	7/8	AS-51695	1-17/32
AS-51612	15/64	AS-51654	57/64	AS-51696	1-35/64
AS-51613	1/4	AS-51655	29/32	AS-51697	1-9/16
AS-51614	17/64	AS-51656	59/64	AS-51698	1-37/64
AS-51615	9/32	AS-51657	15/16	AS-51699	1-19/32
AS-51616	19/64	AS-51658	61/64	AS-516100	1-39/64
AS-51617	5/16	AS-51659	31/32	AS-516101	1-5/8
AS-51618	21/64	AS-51660	63/64	AS-516102	1-41/64
AS-51619	11/32	AS-51661	1	AS-516103	1-21/32
AS-51620	23/64	AS-51662	1-1/64	AS-516104	1-43/64
AS-51621	3/8	AS-51663	1-1/32	AS-516105	1-11/16
AS-51622	25/64	AS-51664	1-3/64	AS-516106	1-45/64
AS-51623	13/32	AS-51665	1-1/16	AS-516107	1-23/32
AS-51624	27/64	AS-51666	1-5/64	AS-516108	1-47/64
AS-51625	7/16	AS-51667	1-3/32	AS-516109	1-3/4
AS-51626	29/64	AS-51668	1-7/64	AS-516110	1-49/64
AS-51627	15/32	AS-51669	1-1/8	AS-516111	1-25/32
AS-51628	31/64	AS-51670	1-9/64	AS-516112	1-51/64
AS-51629	1/2	AS-51671	1-5/32	AS-516113	1-13/16
AS-51630	33/64	AS-51672	1-11/64	AS-516114	1-53/64
AS-51631	17/32	AS-51673	1-3/16	AS-516115	1-27/32
AS-51632	35/64	AS-51674	1-13/64	AS-516116	1-55/64
AS-51633	9/16	AS-51675	1-7/32	AS-516117	1-7/8
AS-51634	37/64	AS-51676	1-15/64	AS-516118	1-57/64
AS-51635	19/32	AS-51677	1-1/4	AS-516119	1-29/32
AS-51636	39/64	AS-51678	1-17/64	AS-516120	1-59/64
AS-51637	5/8	AS-51679	1-9/32	AS-516121	1-15/16
AS-51638	41/64	AS-51680	1-19/64	AS-516122	1-61/64
AS-51639	21/32	AS-51681	1-5/16	AS-516123	1-31/32
AS-51640	43/64	AS-51682	1-21/64	AS-516124	1-63/64
AS-51641	11/16	AS-51683	1-11/32	AS-516125	2
AS-51642	45/64	AS-51684	1-23/64		

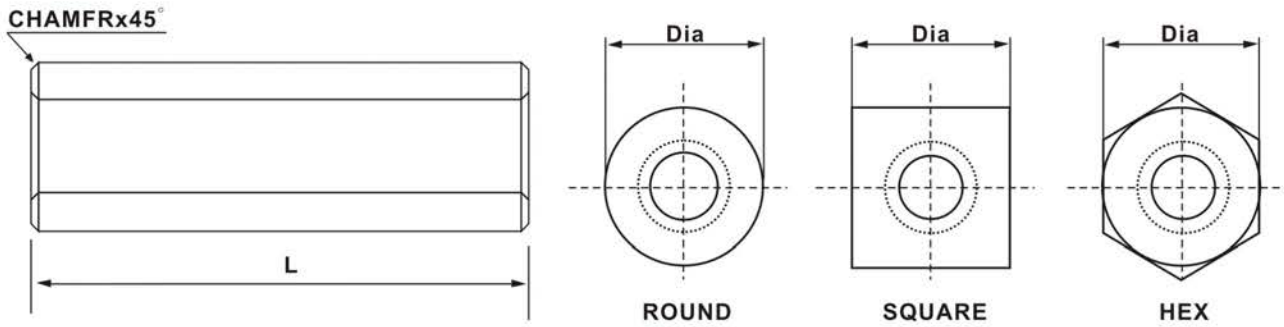
Custom modified products are available.



3/8" Diameter Clear Hole Spacers

Part No.	Length	Part No.	Length	Part No.	Length
AS-3801	1/16	AS-3843	23/32	AS-3885	1-3/8
AS-3802	5/64	AS-3844	47/64	AS-3886	1-25/64
AS-3803	3/32	AS-3845	3/4	AS-3887	1-13/32
AS-3804	7/64	AS-3846	49/64	AS-3888	1-27/64
AS-3805	1/8	AS-3847	25/32	AS-3889	1-7/16
AS-3806	9/64	AS-3848	51/64	AS-3890	1-29/64
AS-3807	5/32	AS-3849	13/16	AS-3891	1-15/32
AS-3808	11/64	AS-3850	53/64	AS-3892	1-31/64
AS-3809	3/16	AS-3851	27/32	AS-3893	1-1/2
AS-3810	13/64	AS-3852	55/64	AS-3894	1-33/64
AS-3811	7/32	AS-3853	7/8	AS-3895	1-17/32
AS-3812	15/64	AS-3854	57/64	AS-3896	1-35/64
AS-3813	1/4	AS-3855	29/32	AS-3897	1-9/16
AS-3814	17/64	AS-3856	59/64	AS-3898	1-37/64
AS-3815	9/32	AS-3857	15/16	AS-3899	1-19/32
AS-3816	19/64	AS-3858	61/64	AS-38100	1-39/64
AS-3817	5/16	AS-3859	31/32	AS-38101	1-5/8
AS-3818	21/64	AS-3860	63/64	AS-38102	1-41/64
AS-3819	11/32	AS-3861	1	AS-38103	1-21/32
AS-3820	23/64	AS-3862	1-1/64	AS-38104	1-43/64
AS-3821	3/8	AS-3863	1-1/32	AS-38105	1-11/16
AS-3822	25/64	AS-3864	1-3/64	AS-38106	1-45/64
AS-3823	13/32	AS-3865	1-1/16	AS-38107	1-23/32
AS-3824	27/64	AS-3866	1-5/64	AS-38108	1-47/64
AS-3825	7/16	AS-3867	1-3/32	AS-38109	1-3/4
AS-3826	29/64	AS-3868	1-7/64	AS-38110	1-49/64
AS-3827	15/32	AS-3869	1-1/8	AS-38111	1-25/32
AS-3828	31/64	AS-3870	1-9/64	AS-38112	1-51/64
AS-3829	1/2	AS-3871	1-5/32	AS-38113	1-13/16
AS-3830	33/64	AS-3872	1-11/64	AS-38114	1-53/64
AS-3831	17/32	AS-3873	1-3/16	AS-38115	1-27/32
AS-3832	35/64	AS-3874	1-13/64	AS-38116	1-55/64
AS-3833	9/16	AS-3875	1-7/32	AS-38117	1-7/8
AS-3834	37/64	AS-3876	1-15/64	AS-38118	1-57/64
AS-3835	19/32	AS-3877	1-1/4	AS-38119	1-29/32
AS-3836	39/64	AS-3878	1-17/64	AS-38120	1-59/64
AS-3837	5/8	AS-3879	1-9/32	AS-38121	1-15/16
AS-3838	41/64	AS-3880	1-19/64	AS-38122	1-61/64
AS-3839	21/32	AS-3881	1-5/16	AS-38123	1-31/32
AS-3840	43/64	AS-3882	1-21/64	AS-38124	1-63/64
AS-3841	11/16	AS-3883	1-11/32	AS-38125	2
AS-3842	45/64	AS-3884	1-23/64		

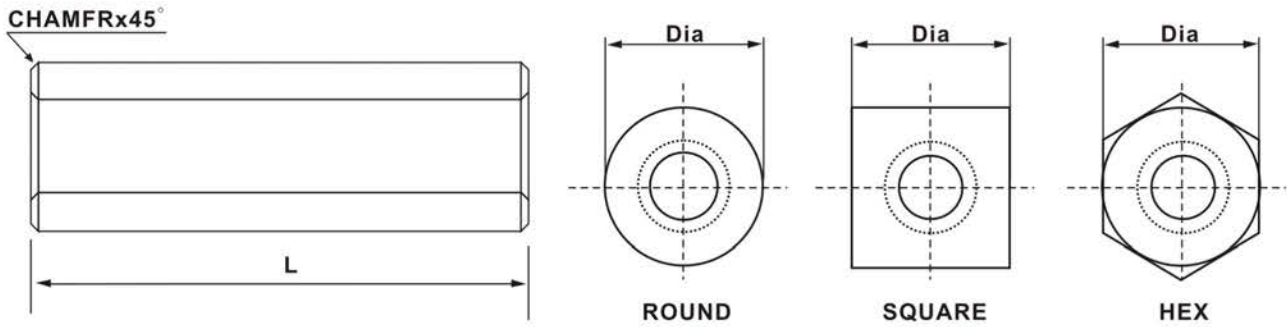
Custom modified products are available.



1/2" Diameter Clear Hole Spacers

Part No.	Length	Part No.	Length	Part No.	Length
AS-1201	1/16	AS-1243	23/32	AS-1285	1-3/8
AS-1202	5/64	AS-1244	47/64	AS-1286	1-25/64
AS-1203	3/32	AS-1245	3/4	AS-1287	1-13/32
AS-1204	7/64	AS-1246	49/64	AS-1288	1-27/64
AS-1205	1/8	AS-1247	25/32	AS-1289	1-7/16
AS-1206	9/64	AS-1248	51/64	AS-1290	1-29/64
AS-1207	5/32	AS-1249	13/16	AS-1291	1-15/32
AS-1208	11/64	AS-1250	53/64	AS-1292	1-31/64
AS-1209	3/16	AS-1251	27/32	AS-1293	1-1/2
AS-1210	13/64	AS-1252	55/64	AS-1294	1-33/64
AS-1211	7/32	AS-1253	7/8	AS-1295	1-17-32
AS-1212	15/64	AS-1254	57/64	AS-1296	1-35/64
AS-1213	1/4	AS-1255	29/32	AS-1297	1-9/16
AS-1214	17/64	AS-1256	59/64	AS-1298	1-37/64
AS-1215	9/32	AS-1257	15/16	AS-1299	1-19/32
AS-1216	19/64	AS-1258	61/64	AS-12100	1-39/64
AS-1217	5/16	AS-1259	31/32	AS-12101	1-5/8
AS-1218	21/64	AS-1260	63/64	AS-12102	1-41/64
AS-1219	11/32	AS-1261	1	AS-12103	1-21/32
AS-1220	23/64	AS-1262	1-1/64	AS-12104	1-43/64
AS-1221	3/8	AS-1263	1-1/32	AS-12105	1-11/16
AS-1222	25/64	AS-1264	1-3/64	AS-12106	1-45/64
AS-1223	13/32	AS-1265	1-1/16	AS-12107	1-23/32
AS-1224	27/64	AS-1266	1-5/64	AS-12108	1-47/64
AS-1225	7/16	AS-1267	1-3/32	AS-12109	1-3/4
AS-1226	29/64	AS-1268	1-7/64	AS-12110	1-49/64
AS-1227	15/32	AS-1269	1-1/8	AS-12111	1-25/32
AS-1228	31/64	AS-1270	1-9/64	AS-12112	1-51/64
AS-1229	1/2	AS-1271	1-5/32	AS-12113	1-13/16
AS-1230	33/64	AS-1272	1-11/64	AS-12114	1-53/64
AS-1231	17/32	AS-1273	1-3/16	AS-12115	1-27/32
AS-1232	35/64	AS-1274	1-13/64	AS-12116	1-55/64
AS-1233	9/16	AS-1275	1-7/32	AS-12117	1-7/8
AS-1234	37/64	AS-1276	1-15/64	AS-12118	1-57/64
AS-1235	19/32	AS-1277	1-1/4	AS-12119	1-29/32
AS-1236	39/64	AS-1278	1-17/64	AS-12120	1-59/64
AS-1237	5/8	AS-1279	1-9/32	AS-12121	1-15/16
AS-1238	41/64	AS-1280	1-19/64	AS-12122	1-61/64
AS-1239	21/32	AS-1281	1-5/16	AS-12123	1-31/32
AS-1240	43/64	AS-1282	1-21/64	AS-12124	1-63/64
AS-1241	11/16	AS-1283	1-11/32	AS-12125	2
AS-1242	45/64	AS-1284	1-23/64		

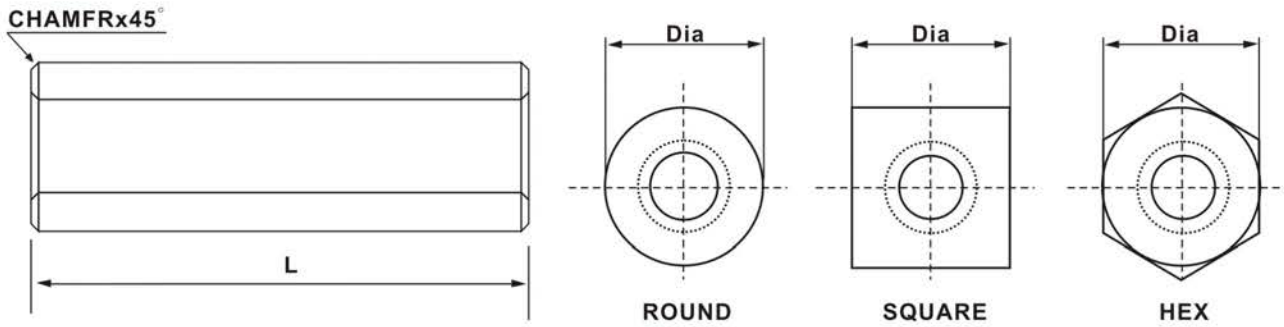
Custom modified products are available.



5/8" Diameter Clear Hole Spacers

Part No.	Length	Part No.	Length	Part No.	Length
AS-5801	1/16	AS-5843	23/32	AS-5885	1-3/8
AS-5802	5/64	AS-5844	47/64	AS-5886	1-25/64
AS-5803	3/32	AS-5845	3/4	AS-5887	1-13/32
AS-5804	7/64	AS-5846	49/64	AS-5888	1-27/64
AS-5805	1/8	AS-5847	25/32	AS-5889	1-7/16
AS-5806	9/64	AS-5848	51/64	AS-5890	1-29/64
AS-5807	5/32	AS-5849	13/16	AS-5891	1-15/32
AS-5808	11/64	AS-5850	53/64	AS-5892	1-31/64
AS-5809	3/16	AS-5851	27/32	AS-5893	1-1/2
AS-5810	13/64	AS-5852	55/64	AS-5894	1-33/64
AS-5811	7/32	AS-5853	7/8	AS-5895	1-17/32
AS-5812	15/64	AS-5854	57/64	AS-5896	1-35/64
AS-5813	1/4	AS-5855	29/32	AS-5897	1-9/16
AS-5814	17/64	AS-5856	59/64	AS-5898	1-37/64
AS-5815	9/32	AS-5857	15/16	AS-5899	1-19/32
AS-5816	19/64	AS-5858	61/64	AS-58100	1-39/64
AS-5817	5/16	AS-5859	31/32	AS-58101	1-5/8
AS-5818	21/64	AS-5860	63/64	AS-58102	1-41/64
AS-5819	11/32	AS-5861	1	AS-58103	1-21/32
AS-5820	23/64	AS-5862	1-1/64	AS-58104	1-43/64
AS-5821	3/8	AS-5863	1-1/32	AS-58105	1-11/16
AS-5822	25/64	AS-5864	1-3/64	AS-58106	1-45/64
AS-5823	13/32	AS-5865	1-1/16	AS-58107	1-23/32
AS-5824	27/64	AS-5866	1-5/64	AS-58108	1-47/64
AS-5825	7/16	AS-5867	1-3/32	AS-58109	1-3/4
AS-5826	29/64	AS-5868	1-7/64	AS-58110	1-49/64
AS-5827	15/32	AS-5869	1-1/8	AS-58111	1-25/32
AS-5828	31/64	AS-5870	1-9/64	AS-58112	1-51/64
AS-5829	1/2	AS-5871	1-5/32	AS-58113	1-13/16
AS-5830	33/64	AS-5872	1-11/64	AS-58114	1-53/64
AS-5831	17/32	AS-5873	1-3/16	AS-58115	1-27/32
AS-5832	35/64	AS-5874	1-13/64	AS-58116	1-55/64
AS-5833	9/16	AS-5875	1-7/32	AS-58117	1-7/8
AS-5834	37/64	AS-5876	1-15/64	AS-58118	1-57/64
AS-5835	19/32	AS-5877	1-1/4	AS-58119	1-29/32
AS-5836	39/64	AS-5878	1-17/64	AS-58120	1-59/64
AS-5837	5/8	AS-5879	1-9/32	AS-58121	1-15/16
AS-5838	41/64	AS-5880	1-19/64	AS-58122	1-61/64
AS-5839	21/32	AS-5881	1-5/16	AS-58123	1-31/32
AS-5840	43/64	AS-5882	1-21/64	AS-58124	1-63/64
AS-5841	11/16	AS-5883	1-11/32	AS-58125	2
AS-5842	45/64	AS-5884	1-23/64		

Custom modified products are available.



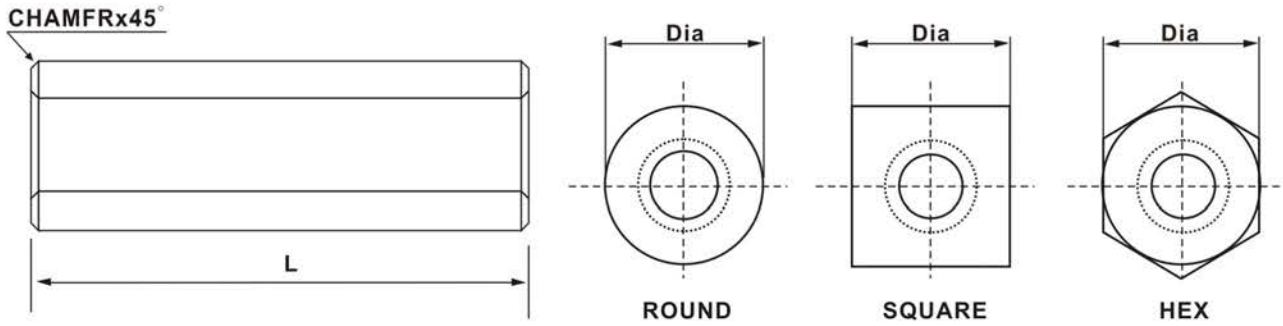
3/4" Diameter Clear Hole Spacers

Part No.	Length	Part No.	Length	Part No.	Length
AS-3401	1/16	AS-3443	23/32	AS-3485	1-3/8
AS-3402	5/64	AS-3444	47/64	AS-3486	1-25/64
AS-3403	3/32	AS-3445	3/4	AS-3487	1-13/32
AS-3404	7/64	AS-3446	49/64	AS-3488	1-27/64
AS-3405	1/8	AS-3447	25/32	AS-3489	1-7/16
AS-3406	9/64	AS-3448	51/64	AS-3490	1-29/64
AS-3407	5/32	AS-3449	13/16	AS-3491	1-15/32
AS-3408	11/64	AS-3450	53/64	AS-3492	1-31/64
AS-3409	3/16	AS-3451	27/32	AS-3493	1-1/2
AS-3410	13/64	AS-3452	55/64	AS-3494	1-33/64
AS-3411	7/32	AS-3453	7/8	AS-3495	1-17/32
AS-3412	15/64	AS-3454	57/64	AS-3496	1-35/64
AS-3413	1/4	AS-3455	29/32	AS-3497	1-9/16
AS-3414	17/64	AS-3456	59/64	AS-3498	1-37/64
AS-3415	9/32	AS-3457	15/16	AS-3499	1-19/32
AS-3416	19/64	AS-3458	61/64	AS-58100	1-39/64
AS-3417	5/16	AS-3459	31/32	AS-34101	1-5/8
AS-3418	21/64	AS-3460	63/64	AS-34102	1-41/64
AS-3419	11/32	AS-3461	1	AS-34103	1-21/32
AS-3420	23/64	AS-3462	1-1/64	AS-34104	1-43/64
AS-3421	3/8	AS-3463	1-1/32	AS-34105	1-11/16
AS-3422	25/64	AS-3464	1-3/64	AS-34106	1-45/64
AS-3423	13/32	AS-3465	1-1/16	AS-34107	1-23/32
AS-3424	27/64	AS-3466	1-5/64	AS-34108	1-47/64
AS-3425	7/16	AS-3467	1-3/32	AS-34109	1-3/4
AS-3426	29/64	AS-3468	1-7/64	AS-34110	1-49/64
AS-3427	15/32	AS-3469	1-1/8	AS-34111	1-25/32
AS-3428	31/64	AS-3470	1-9/64	AS-34112	1-51/64
AS-3429	1/2	AS-3471	1-5/32	AS-34113	1-13/16
AS-3430	33/64	AS-3472	1-11/64	AS-34114	1-53/64
AS-3431	17/32	AS-3473	1-3/16	AS-34115	1-27/32
AS-3432	35/64	AS-3474	1-13/64	AS-34116	1-55/64
AS-3433	9/16	AS-3475	1-7/32	AS-34117	1-7/8
AS-3434	37/64	AS-3476	1-15/64	AS-34118	1-57/64
AS-3435	19/32	AS-3477	1-1/4	AS-34119	1-29/32
AS-3436	39/64	AS-3478	1-17/64	AS-34120	1-59/64
AS-3437	5/8	AS-3479	1-9/32	AS-34121	1-15/16
AS-3438	41/64	AS-3480	1-19/64	AS-34122	1-61/64
AS-3439	21/32	AS-3481	1-5/16	AS-34123	1-31/32
AS-3440	43/64	AS-3482	1-21/64	AS-34124	1-63/64
AS-3441	11/16	AS-3483	1-11/32	AS-34125	2
AS-3442	45/64	AS-3484	1-23/64		

Custom modified products are available.

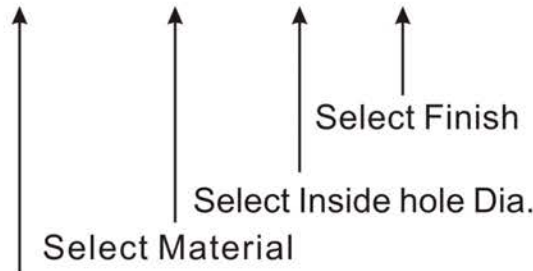
Foreword

(Metric STANDARD SPACERS)



How to order Metric Standard Clear Hole Spacers

MS- 0525-MS1- 25- S10



Tolerances:

Diameter: Standard commercial bar stock tolerances.
 Length: 0 UP to 100 ± 0.13
 From 100 to 150 ± 0.2
 Over 150 ± 0.25

Threads:

External - Standard Unified Class 6g
 Internal - Standard Unified Class 6h

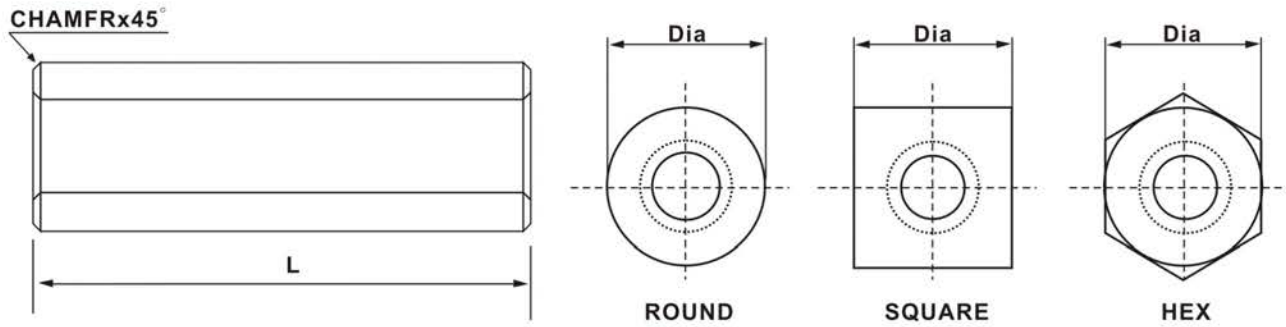
Select Part No. corresponding to the diameter and length necessary for Your application

Material Description	Code		
	Round	Square	Hex
Carbon Steel	MS1	MS2	MS3
300 Series Stainless Steel	MSS1	MSS2	MSS3
Aluminum	MA1	MA2	MA3
Brass	MB1	MB2	MB3
Nylon	MN1	MN2	MN3

Finish Description	Code
Nickel Plate	S1
Chrome Plate	S2
Satin Chrome	S6
Zinc Plate	S10
Zinc Yellow Chromate	S11
No Finish	S14
Black Oxide	S22
Black Zinc	S23
Passivate	SB5
Anodize Clear	SA1
Glossy Anodize Clear	SA2
Anodize Black	SA3
Glossy Anodize Black	SA4
Clear Iridite	SA5

Code	Thread	Inside hole Dia. $\begin{matrix} + 0.3 \\ - 0.0 \end{matrix}$
25	M2.5x0.45	2.7
3	M3x0.5	3.2
35	M3.5x0.6	3.7
4	M4x0.7	4.3
5	M5x0.8	5.3
6	M6x1	6.4
8	M8x1.25	8.4
10	M10x1.5	10.5
12	M12	13
14	M14	15

Custom modified products are available.

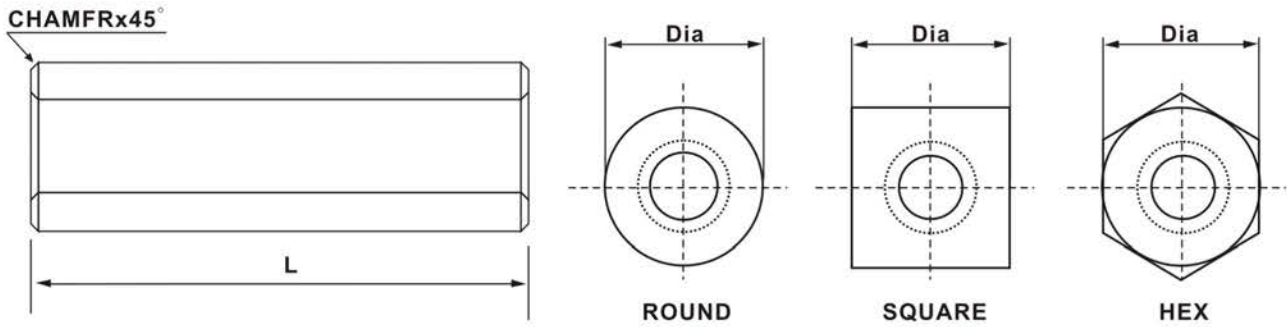


5mm Diameter Clear Hole Spacers

Part No.	Length	Part No.	Length	Part No.	Length
MS-0501	1	MS-0518	18	MS-0535	35
MS-0502	2	MS-0519	19	MS-0536	36
MS-0503	3	MS-0520	20	MS-0537	37
MS-0504	4	MS-0521	21	MS-0538	38
MS-0505	5	MS-0522	22	MS-0539	39
MS-0506	6	MS-0523	23	MS-0540	40
MS-0507	7	MS-0524	24	MS-0541	41
MS-0508	8	MS-0525	25	MS-0542	42
MS-0509	9	MS-0526	26	MS-0543	43
MS-0510	10	MS-0527	27	MS-0544	44
MS-0511	11	MS-0528	28	MS-0545	45
MS-0512	12	MS-0529	29	MS-0546	46
MS-0513	13	MS-0530	30	MS-0547	47
MS-0514	14	MS-0531	31	MS-0548	48
MS-0515	15	MS-0532	32	MS-0549	49
MS-0516	16	MS-0533	33	MS-0550	50
MS-0517	17	MS-0534	34	MS-0551	51

6mm Diameter Clear Hole Spacers

Part No.	Length	Part No.	Length	Part No.	Length
MS-0601	1	MS-0618	18	MS-0635	35
MS-0602	2	MS-0619	19	MS-0636	36
MS-0603	3	MS-0620	20	MS-0637	37
MS-0604	4	MS-0621	21	MS-0638	38
MS-0605	5	MS-0622	22	MS-0639	39
MS-0606	6	MS-0623	23	MS-0640	40
MS-0607	7	MS-0624	24	MS-0641	41
MS-0608	8	MS-0625	25	MS-0642	42
MS-0609	9	MS-0626	26	MS-0643	43
MS-0610	10	MS-0627	27	MS-0644	44
MS-0611	11	MS-0628	28	MS-0645	45
MS-0612	12	MS-0629	29	MS-0646	46
MS-0613	13	MS-0630	30	MS-0647	47
MS-0614	14	MS-0631	31	MS-0648	48
MS-0615	15	MS-0632	32	MS-0649	49
MS-0616	16	MS-0633	33	MS-0650	50
MS-0617	17	MS-0634	34	MS-0651	51

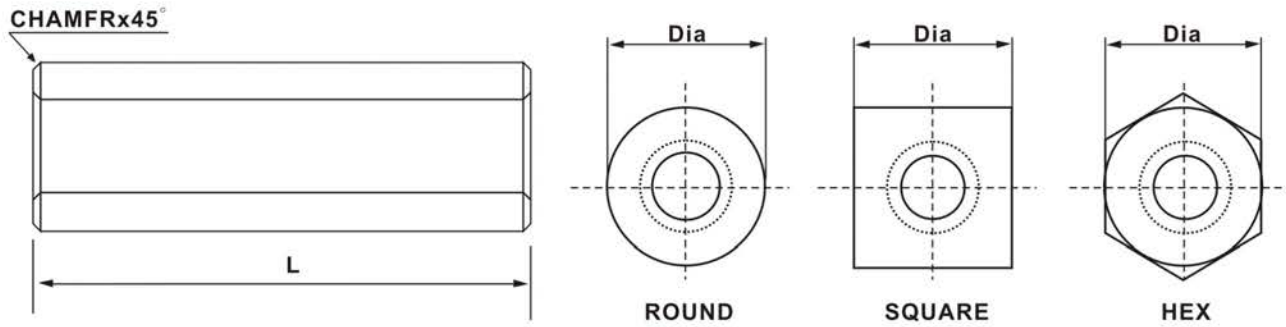


7mm Diameter Clear Hole Spacers

Part No.	Length	Part No.	Length	Part No.	Length
MS-0701	1	MS-0718	18	MS-0735	35
MS-0702	2	MS-0719	19	MS-0736	36
MS-0703	3	MS-0720	20	MS-0737	37
MS-0704	4	MS-0721	21	MS-0738	38
MS-0705	5	MS-0722	22	MS-0739	39
MS-0706	6	MS-0723	23	MS-0740	40
MS-0707	7	MS-0724	24	MS-0741	41
MS-0708	8	MS-0725	25	MS-0742	42
MS-0709	9	MS-0726	26	MS-0743	43
MS-0710	10	MS-0727	27	MS-0744	44
MS-0711	11	MS-0728	28	MS-0745	45
MS-0712	12	MS-0729	29	MS-0746	46
MS-0713	13	MS-0730	30	MS-0747	47
MS-0714	14	MS-0731	31	MS-0748	48
MS-0715	15	MS-0732	32	MS-0749	49
MS-0716	16	MS-0733	33	MS-0750	50
MS-0717	17	MS-0734	34	MS-0751	51

8mm Diameter Clear Hole Spacers

Part No.	Length	Part No.	Length	Part No.	Length
MS-0801	1	MS-0818	18	MS-0835	35
MS-0802	2	MS-0819	19	MS-0836	36
MS-0803	3	MS-0820	20	MS-0837	37
MS-0804	4	MS-0821	21	MS-0838	38
MS-0805	5	MS-0822	22	MS-0839	39
MS-0806	6	MS-0823	23	MS-0840	40
MS-0807	7	MS-0824	24	MS-0841	41
MS-0808	8	MS-0825	25	MS-0842	42
MS-0809	9	MS-0826	26	MS-0843	43
MS-0810	10	MS-0827	27	MS-0844	44
MS-0811	11	MS-0828	28	MS-0845	45
MS-0812	12	MS-0829	29	MS-0846	46
MS-0813	13	MS-0830	30	MS-0847	47
MS-0814	14	MS-0831	31	MS-0848	48
MS-0815	15	MS-0832	32	MS-0849	49
MS-0816	16	MS-0833	33	MS-0850	50
MS-0817	17	MS-0834	34	MS-0851	51

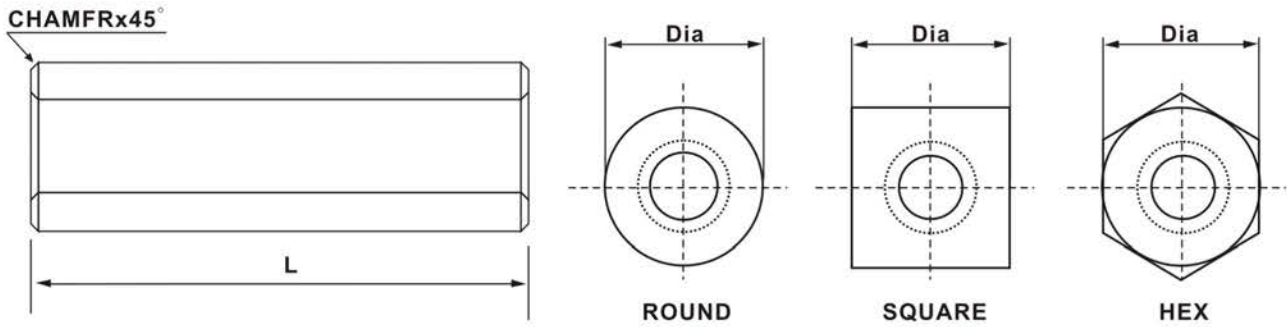


10mm Diameter Clear Hole Spacers

Part No.	Length	Part No.	Length	Part No.	Length
MS-1001	1	MS-1018	18	MS-1035	35
MS-1002	2	MS-1019	19	MS-1036	36
MS-1003	3	MS-1020	20	MS-1037	37
MS-1004	4	MS-1021	21	MS-1038	38
MS-1005	5	MS-1022	22	MS-1039	39
MS-1006	6	MS-1023	23	MS-1040	40
MS-1007	7	MS-1024	24	MS-1041	41
MS-1008	8	MS-1025	25	MS-1042	42
MS-1009	9	MS-1026	26	MS-1043	43
MS-1010	10	MS-1027	27	MS-1044	44
MS-1011	11	MS-1028	28	MS-1045	45
MS-1012	12	MS-1029	29	MS-1046	46
MS-1013	13	MS-1030	30	MS-1047	47
MS-1014	14	MS-1031	31	MS-1048	48
MS-1015	15	MS-1032	32	MS-1049	49
MS-1016	16	MS-1033	33	MS-1050	50
MS-1017	17	MS-1034	34	MS-1051	51

13mm Diameter Clear Hole Spacers

Part No.	Length	Part No.	Length	Part No.	Length
MS-1301	1	MS-1318	18	MS-1335	35
MS-1302	2	MS-1319	19	MS-1336	36
MS-1303	3	MS-1320	20	MS-1337	37
MS-1304	4	MS-1321	21	MS-1338	38
MS-1305	5	MS-1322	22	MS-1339	39
MS-1306	6	MS-1323	23	MS-1340	40
MS-1307	7	MS-1324	24	MS-1341	41
MS-1308	8	MS-1325	25	MS-1342	42
MS-1309	9	MS-1326	26	MS-1343	43
MS-1310	10	MS-1327	27	MS-1344	44
MS-1311	11	MS-1328	28	MS-1345	45
MS-1312	12	MS-1329	29	MS-1346	46
MS-1313	13	MS-1330	30	MS-1347	47
MS-1314	14	MS-1331	31	MS-1348	48
MS-1315	15	MS-1332	32	MS-1349	49
MS-1316	16	MS-1333	33	MS-1350	50
MS-1317	17	MS-1334	34	MS-1351	51



16mm Diameter Clear Hole Spacers

Part No.	Length	Part No.	Length	Part No.	Length
MS-1601	1	MS-1618	18	MS-1635	35
MS-1602	2	MS-1619	19	MS-1636	36
MS-1603	3	MS-1620	20	MS-1637	37
MS-1604	4	MS-1621	21	MS-1638	38
MS-1605	5	MS-1622	22	MS-1639	39
MS-1606	6	MS-1623	23	MS-1640	40
MS-1607	7	MS-1624	24	MS-1641	41
MS-1608	8	MS-1625	25	MS-1642	42
MS-1609	9	MS-1626	26	MS-1643	43
MS-1610	10	MS-1627	27	MS-1644	44
MS-1611	11	MS-1628	28	MS-1645	45
MS-1612	12	MS-1629	29	MS-1646	46
MS-1613	13	MS-1630	30	MS-1647	47
MS-1614	14	MS-1631	31	MS-1648	48
MS-1615	15	MS-1632	32	MS-1649	49
MS-1616	16	MS-1633	33	MS-1650	50
MS-1617	17	MS-1634	34	MS-1651	51

19mm Diameter Clear Hole Spacers

Part No.	Length	Part No.	Length	Part No.	Length
MS-1901	1	MS-1918	18	MS-1935	35
MS-1902	2	MS-1919	19	MS-1936	36
MS-1903	3	MS-1920	20	MS-1937	37
MS-1904	4	MS-1921	21	MS-1938	38
MS-1905	5	MS-1922	22	MS-1939	39
MS-1906	6	MS-1923	23	MS-1940	40
MS-1907	7	MS-1924	24	MS-1941	41
MS-1908	8	MS-1925	25	MS-1942	42
MS-1909	9	MS-1926	26	MS-1943	43
MS-1910	10	MS-1927	27	MS-1944	44
MS-1911	11	MS-1928	28	MS-1945	45
MS-1912	12	MS-1929	29	MS-1946	46
MS-1913	13	MS-1930	30	MS-1947	47
MS-1914	14	MS-1931	31	MS-1948	48
MS-1915	15	MS-1932	32	MS-1949	49
MS-1916	16	MS-1933	33	MS-1950	50
MS-1917	17	MS-1934	34	MS-1951	51